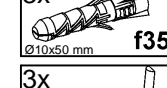
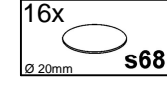
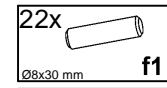
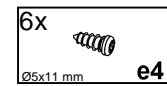
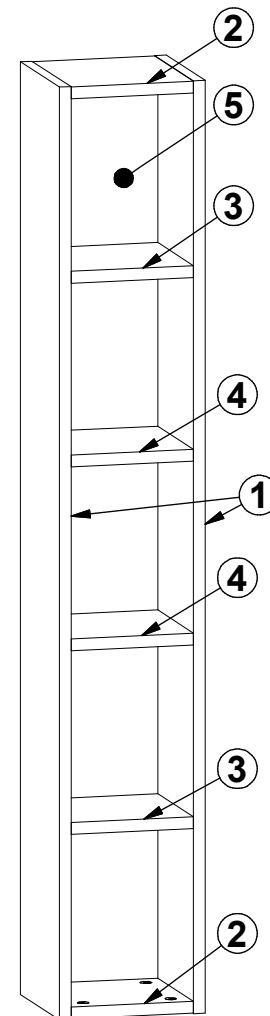
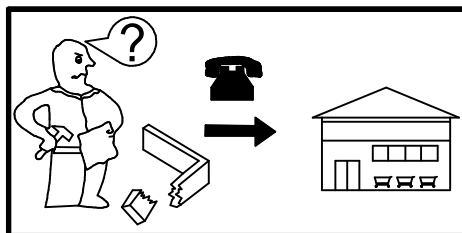
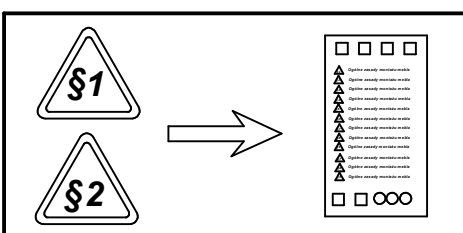
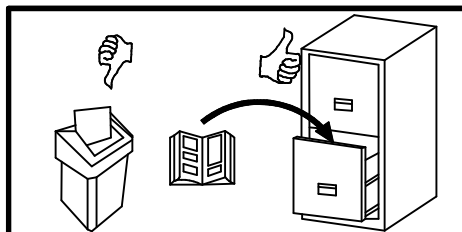
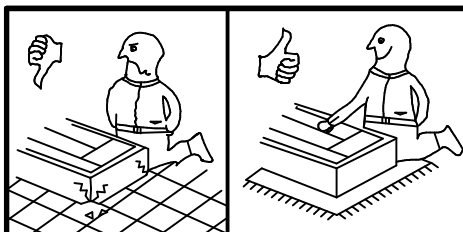
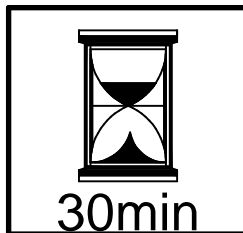
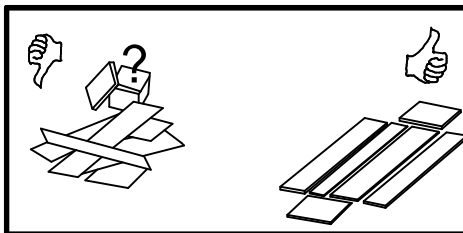
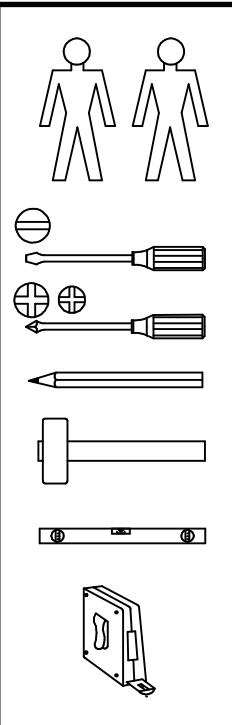
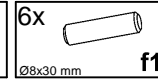
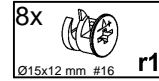
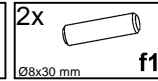
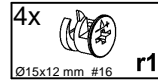
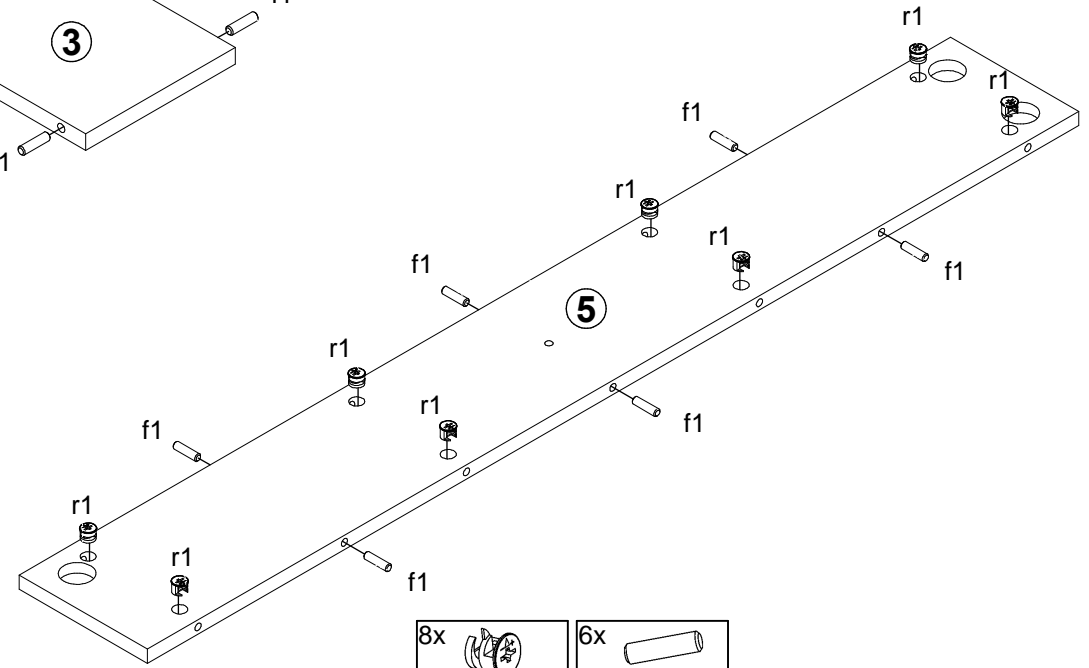
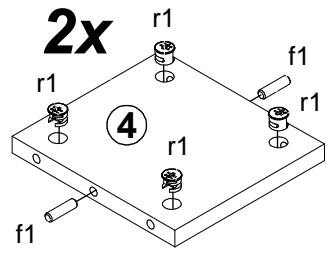
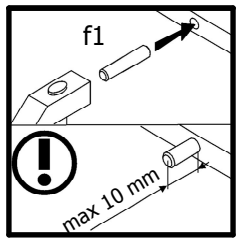
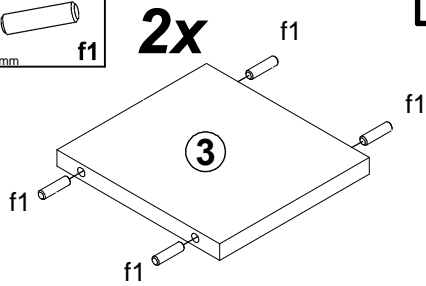
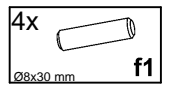
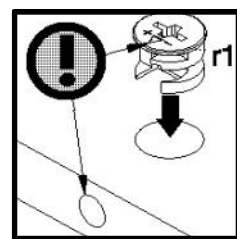
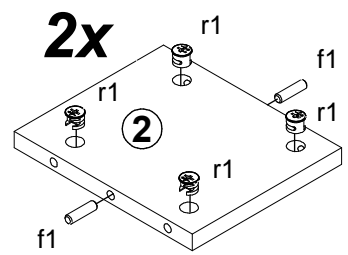
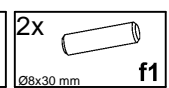
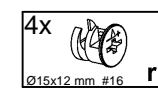
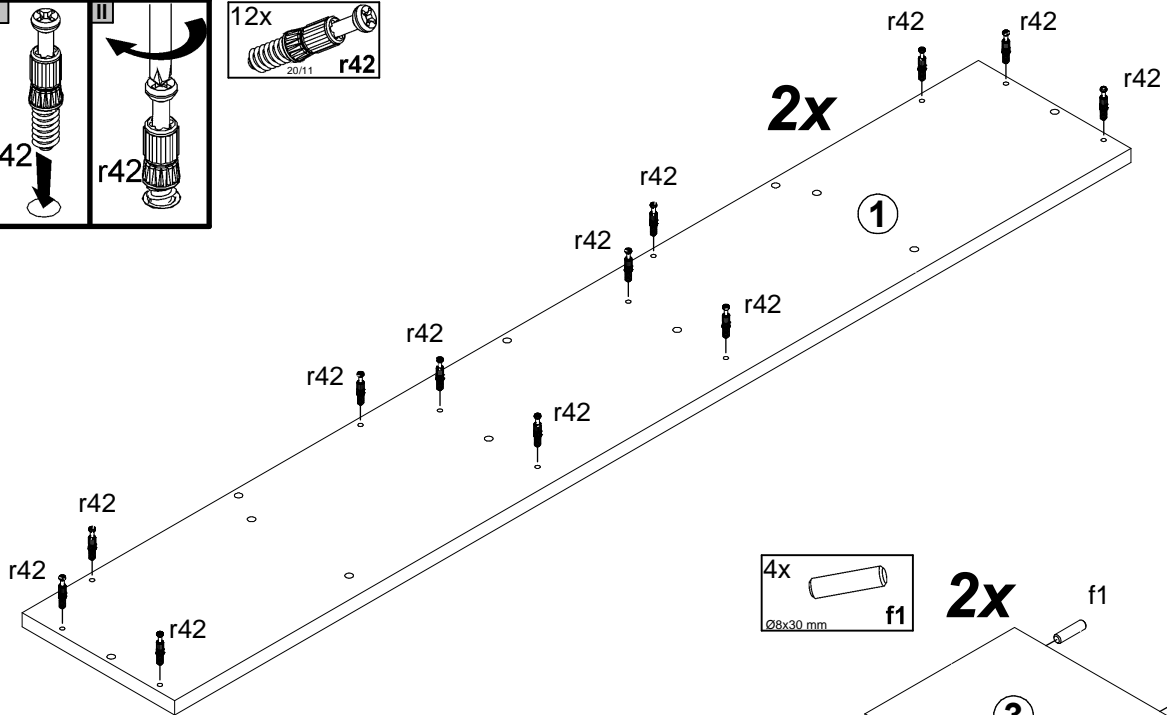
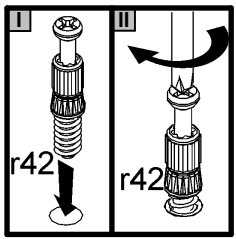


A	B	C1	C2	C3	D
1	S507-1007	1254	200	16	1/1
2	S507-3008	168	200	16	1/1
3	S507-3009	168	183	16	1/1
4	S507-3010	168	183	16	1/1
5	S507-4501	1221	168	16	1/1



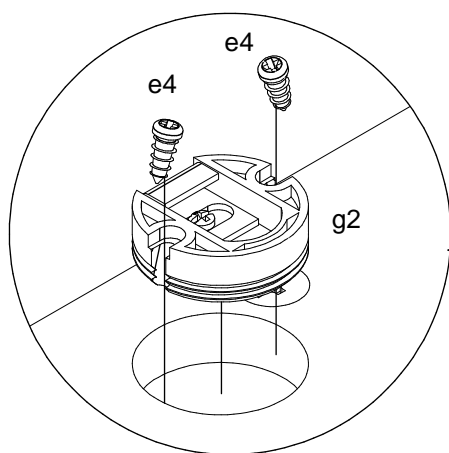


**A**

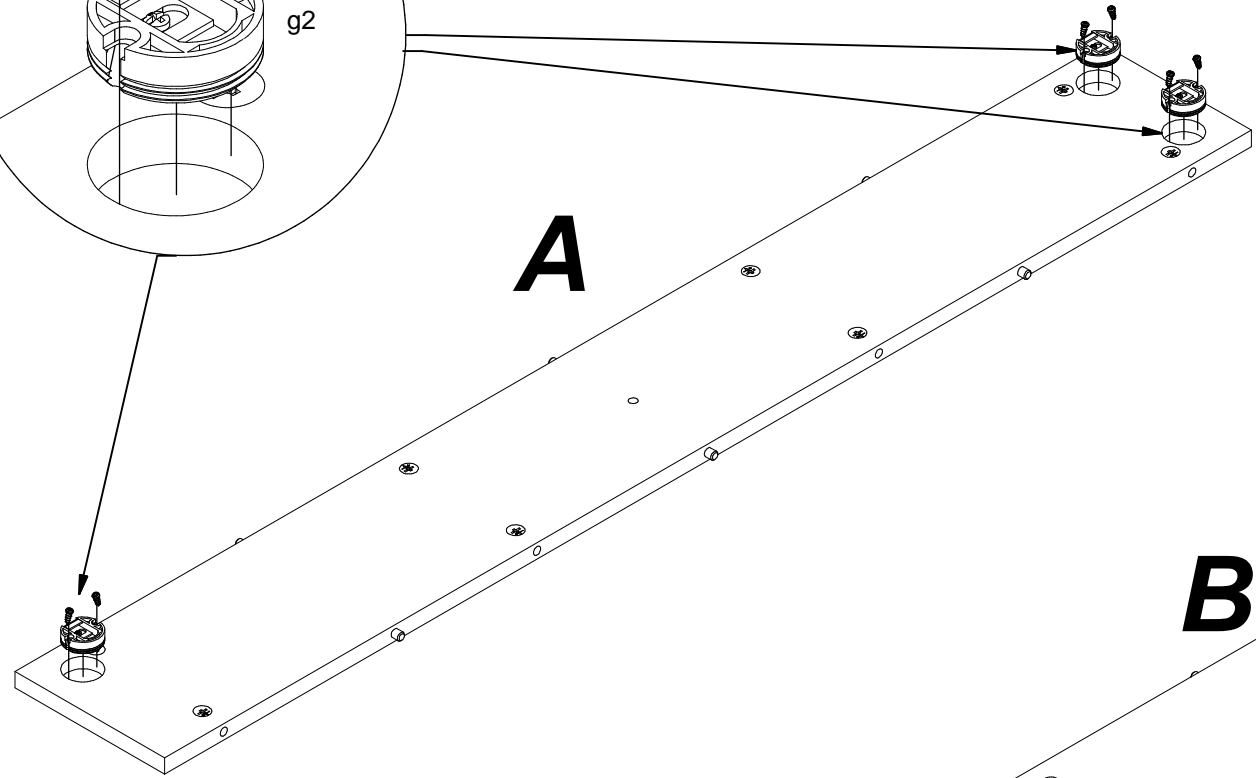
**S507-SFW/13/2**

**10 H9 -- 15**

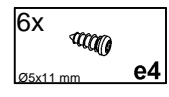
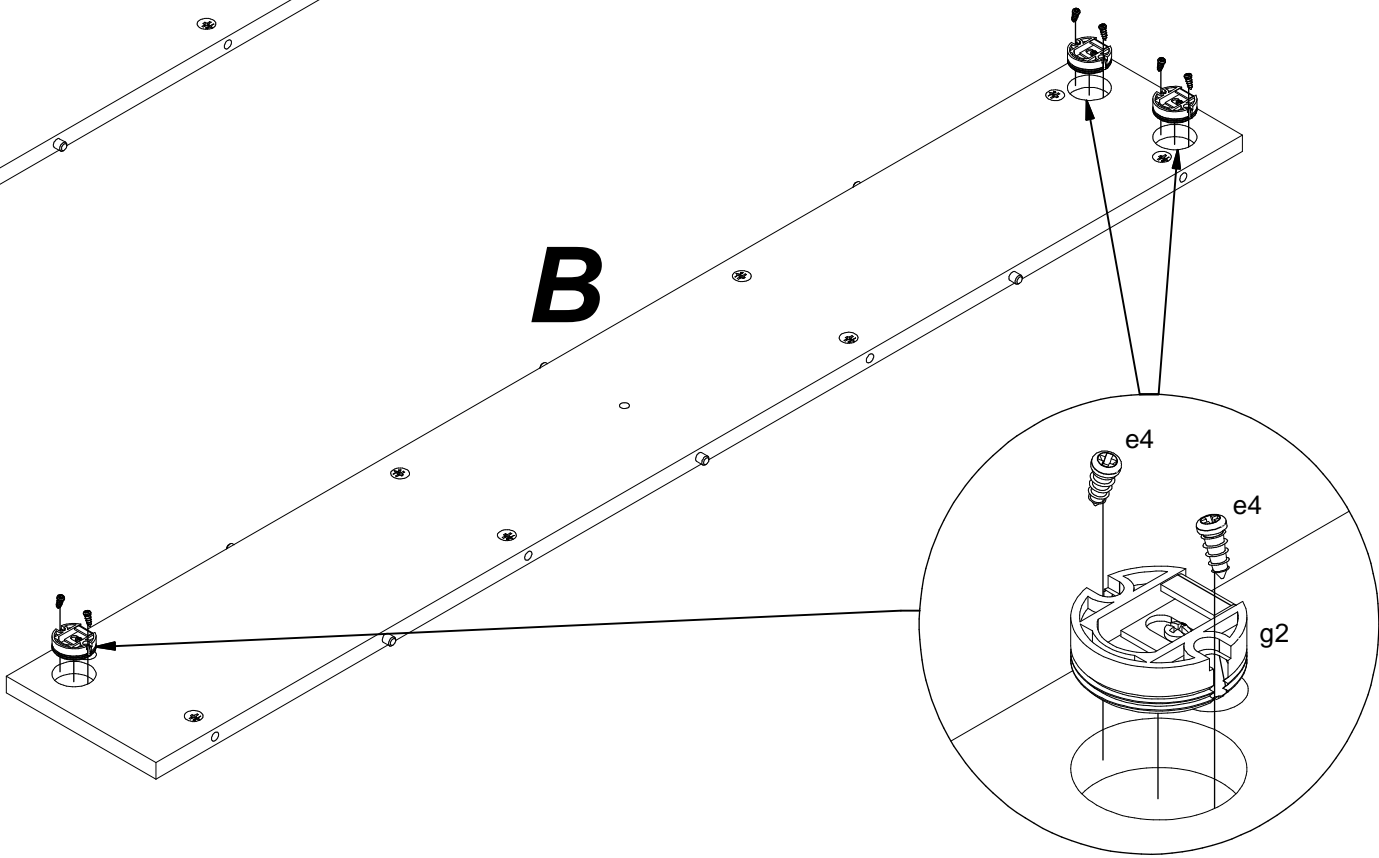
**3 / 6**



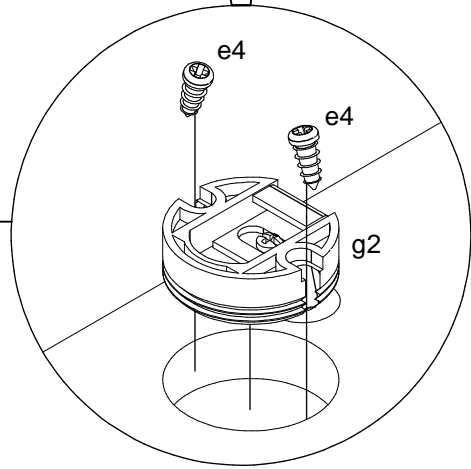
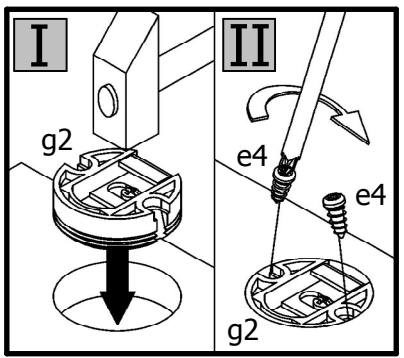
**A**

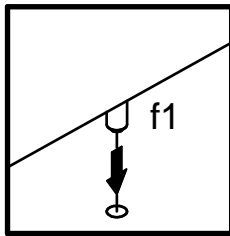
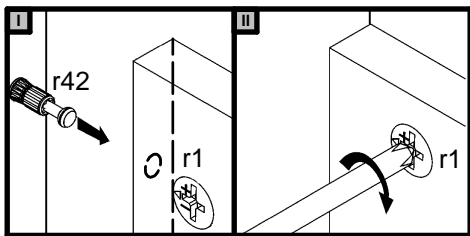


**B**

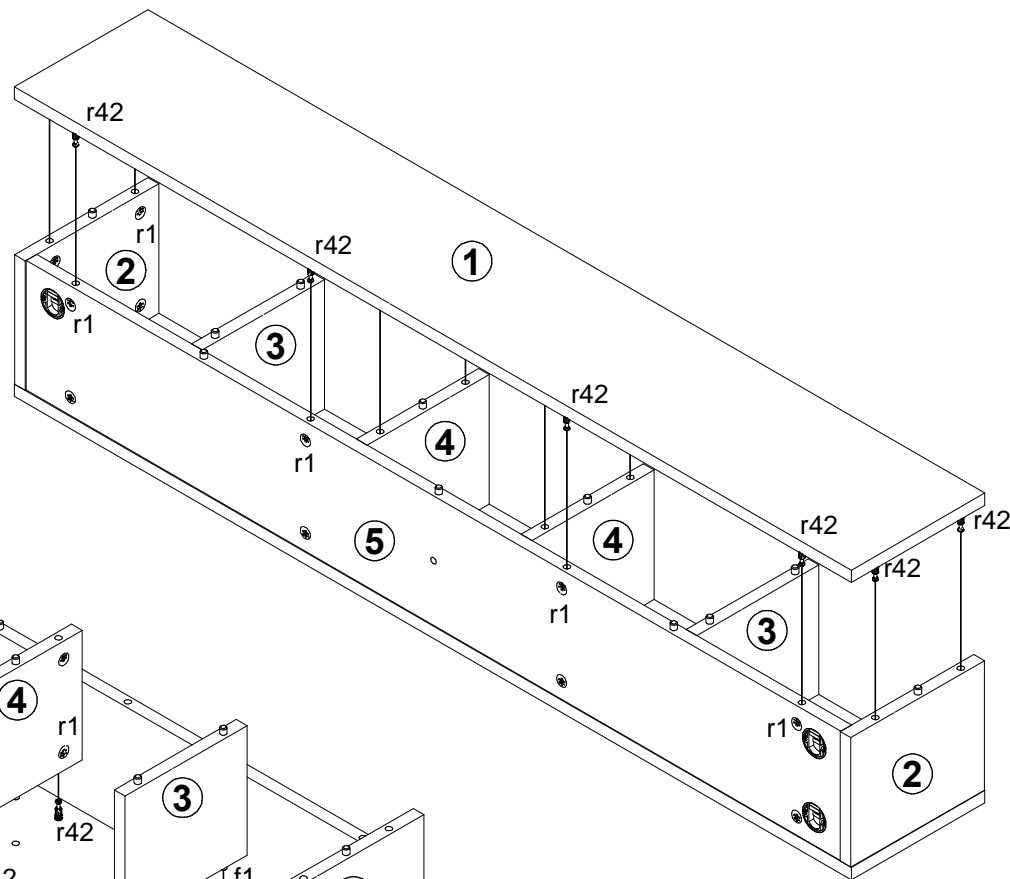


**1**



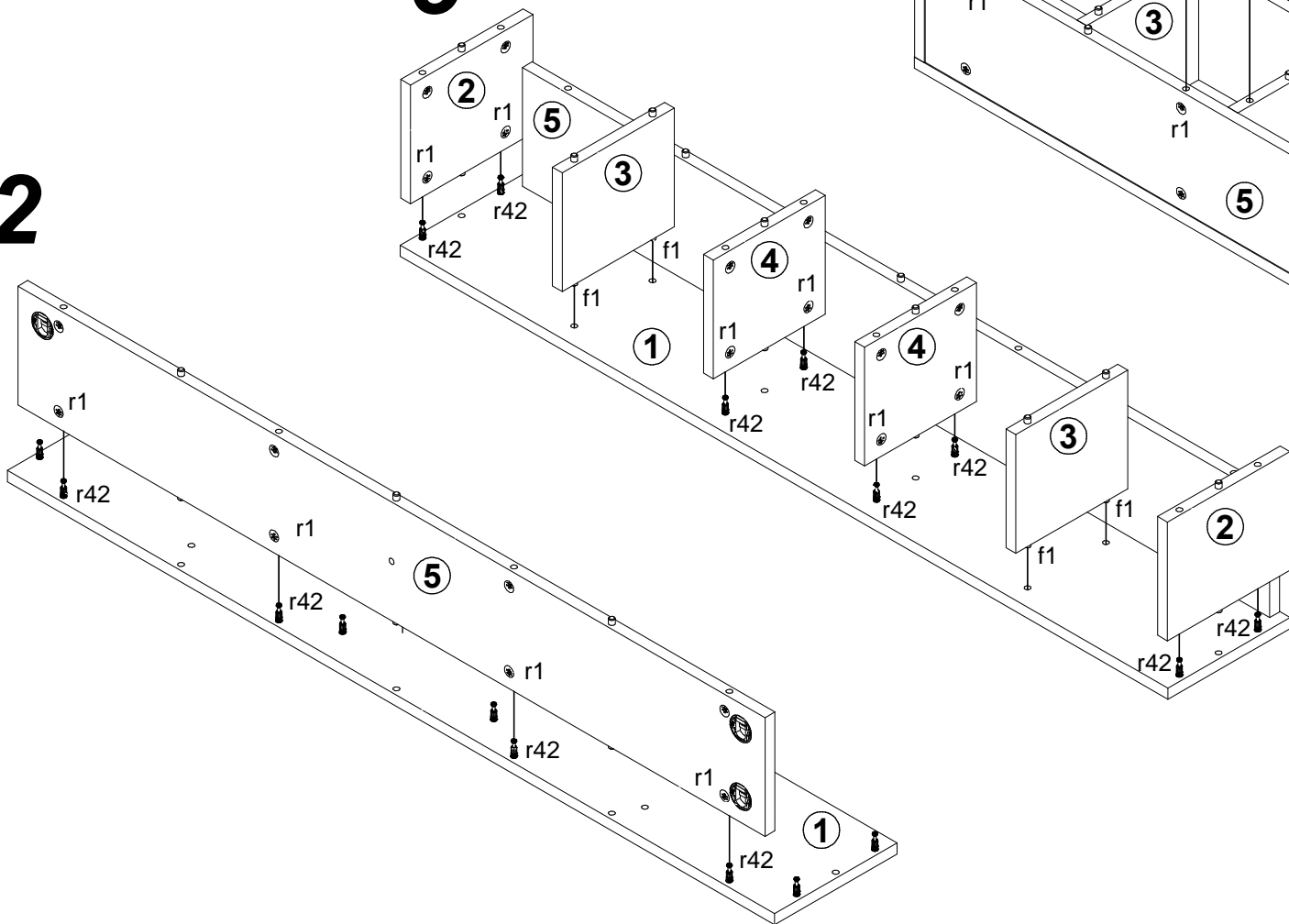


4



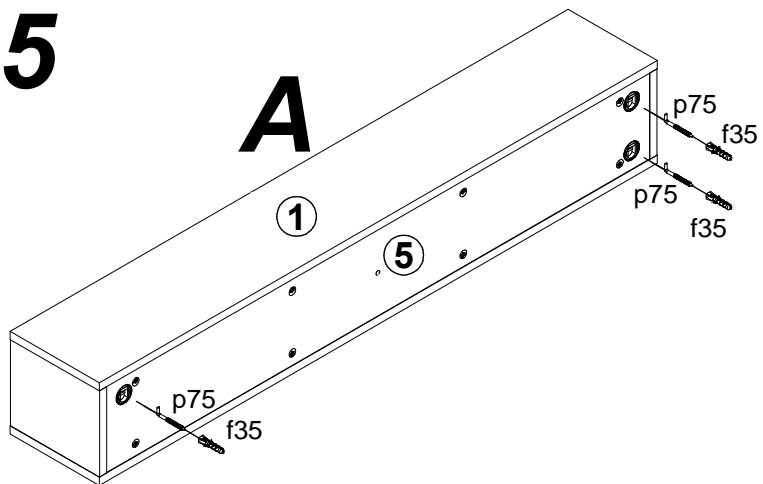
2

3

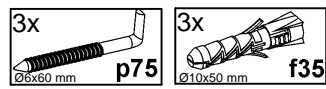
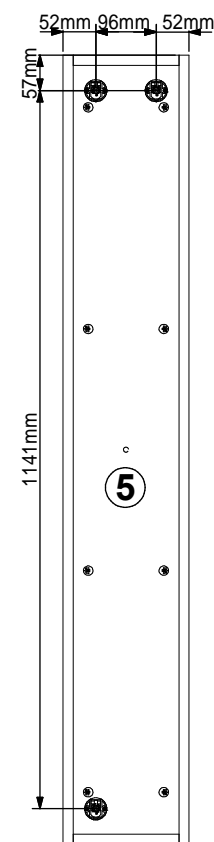
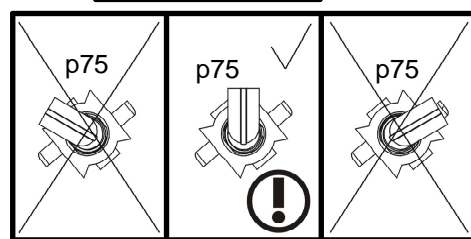
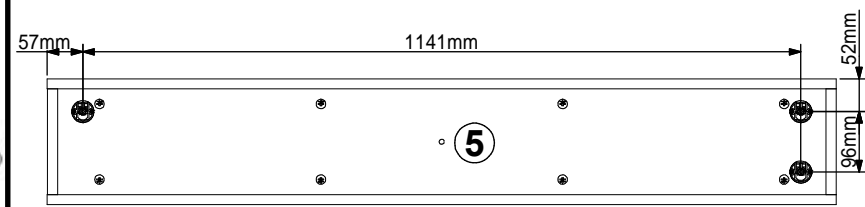
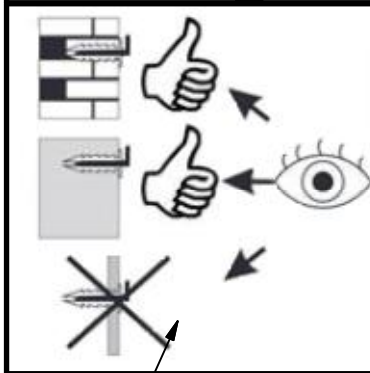
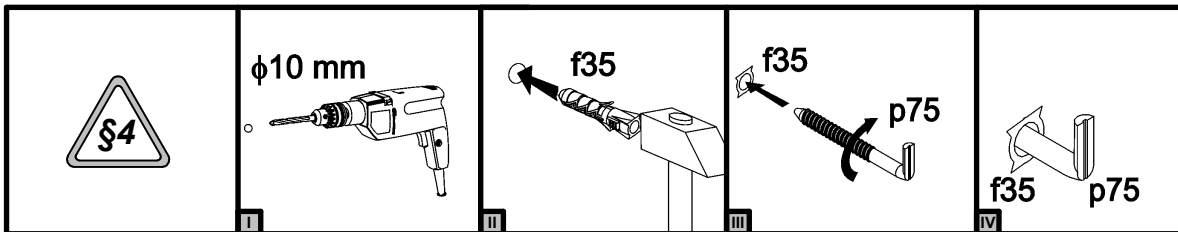
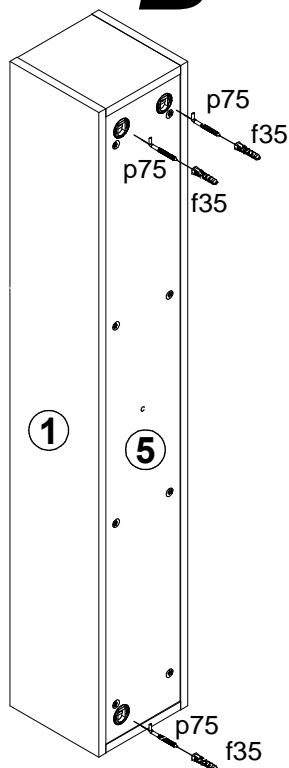


5

A



B



6

